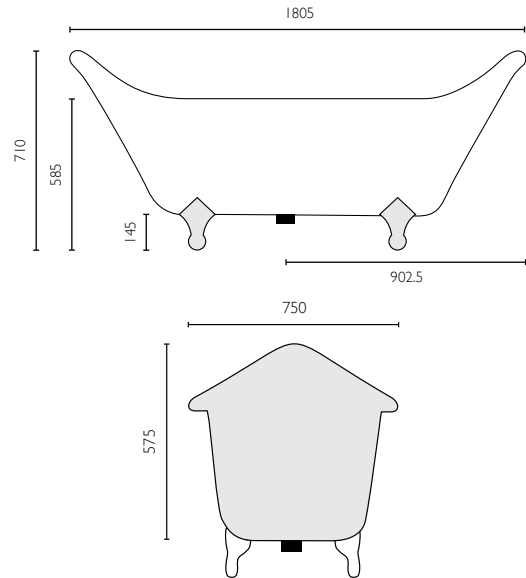




double high back bath



Features & Benefits

- Classic design
- Brass or chrome feet available
- Choice of colour combinations
- Taps to be wall mounted
- Dual lumber support

Sizes

- 1805mm x 750mm x 710mm
- Rim 90mm

Colours

- **Internal** - White or Almond Ivory
- **External** - White, Almond Ivory, Burgundy, Black and Caulfield Green

Feet

- Chrome or Gold

Waste

- 40mm PVC

Weight

- 50kg

Volume

- 190 litres

Manufacturing Materials

- Internal - Acrylic
- External - Reinforced Fibreglass

Guarantee

- Baths come with a 5 year guarantee.
- Impact Bathrooms will replace this product, if a fault is shown to be caused by faulty manufacturing or materials, prior to correct installation.
- This guarantee does not include removal and installation costs.

Warranty

Impact Bathrooms ABN 46 007 097 618 will supply a replacement product where a fault is shown to be caused by faulty manufacture or materials, subject to correct installation procedure. This guarantee does not include removal and installation costs. Our goods come with guarantees that cannot be excluded under the Australian Consumer Law.

You are entitled to a replacement or refund for the major failure and for compensation for any other reasonably foreseeable loss or damage. you are also entitled to have the goods repaired or replaced if the goods fail to be of acceptable quality and the failure does not amount to a major failure.

Disclaimer

Impact Bathroom Industries Pty Ltd ABN: 46 007 097 618 The manufacturer/distributor reserves the right to vary specifications or delete models from their range without prior notification. Dimensions and set-outs listed are correct at the time of publication however the manufacturer/distributor takes no responsibility for printing errors. All sizes quoted are in millimetres and are nominal. Product colour shown is as near to actual product colour as production methods permit. Warranty periods apply.